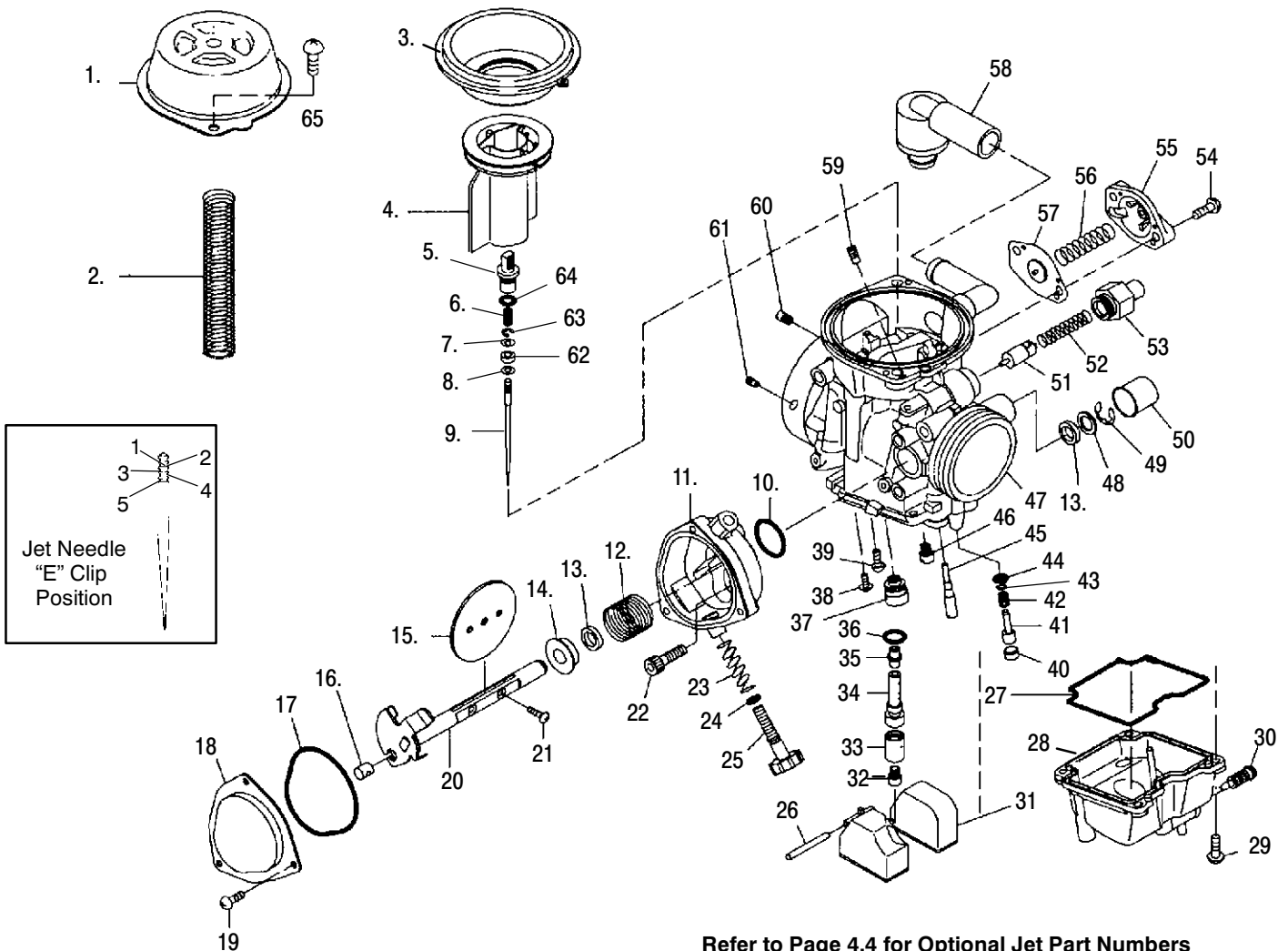




**BSR 42 CARBURETOR EXPLODED VIEW**

Ref.	Description	Ref.	Description
1.	Cover, Diaphragm	17.	O-Ring
2.	Spring	18.	Cover
3.	Diaphragm	19.	Screw
4.	Valve, Piston	20.	A-Shaft, Throttle
5.	Holder	21.	Screw
6.	Spring	22.	Bolt
7.	Washer	23.	Spring, Throttle Adjust
8.	Washer	24.	O-Ring
9.	Jet, Needle	25.	Screw, Adjust
10.	O-Ring	26.	Pin, Float
11.	Case	27.	O-Ring
12.	Spring	28.	Body, Float
13.	Seal	29.	Screw
14.	Ring	30.	Screw
15.	Valve, Throttle (105)	31.	A-Float
16.	Guide, Cable	32.	Jet, Main (150)

Ref.	Description	Ref.	Description
33.	Ring	49.	E-Ring
34.	Holder, Jet	50.	Cap
35.	Jet, Needle	51.	Asm., Plunger
36.	O-Ring	52.	Spring
37.	Valve, Needle	53.	Holder, Guide
38.	Screw	54.	Screw
39.	Screw	55.	Cover
40.	Plug	56.	Spring
41.	Adjuster	57.	Asm., Diaphragm
42.	Spring	58.	Filter
43.	Washer	59.	Jet, Air
44.	O-Ring	60.	Jet, Main (110)
45.	Jet, Pilot (45)	61.	Jet (120)
46.	Jet (42.5)	62.	Ring
47.	Asm., Carburetor	63.	E-Ring
48.	Packing	64.	O-Ring
		65.	Screw



Refer to Page 4.4 for Optional Jet Part Numbers